

Primatech

Prim-Jack

**Floor Tightening Jack
for Tongue & Groove Flooring**



**CAUTION - READ IMPORTANT SAFETY AND OPERATION INSTRUCTIONS
BEFORE OPERATING YOUR PRIM-JACK.**

Your new Prim-Jack is capable of dependable performance throughout its lifetime. To take full advantage of these capabilities, you should thoroughly understand the proper method and technique of its operation. Therefore, we suggest you read this manual before operating, and that you save it for future reference.

SAFETY INSTRUCTIONS



BEFORE HANDLING OR OPERATING THIS TOOL:

- READ AND UNDERSTAND THE WARNINGS CONTAINED IN THIS MANUAL.
- Use the Prim-Jack tool only for the purpose, for which it was designed.
- Do not use the tool as a hammer.
- Always be aware that misuse and improper handling of this tool can cause injury to yourself and others.

Always handle the tool with care. Never engage in horseplay. Never actuate the handle or the ram until hands, fingers or other parts of the body are clear of potential pinch points. Always make sure that the tool is properly oriented and is securely engaged on the work. Keep others a safe distance from the tool while the tool is in operation.

Keep hands and body away from areas where the rack passes through the housing, where the pawls contact the gear or the housing, and where the handle enters the housing, as these areas constitute a pinching hazard and may cause serious injury.

Do not strike the knob, the handle, or any part of the tool with a hammer or mallet. Actuate the handle by hand only to prevent possible injury and/or damage to the tool.



EYE PROTECTION, which conforms to ANSI specifications and provides protection against flying particles both from the **FRONT** and **SIDE**, should **ALWAYS** be worn by the operator and others in the work area when operating, or servicing this tool. Eye protection is required to guard against flying debris, which could cause severe eye injury.



In some environments, ear protection might be required, as working conditions may include exposure to high noise levels which lead to hearing damage.



Wearing safety boots and safety hat is also highly recommended.

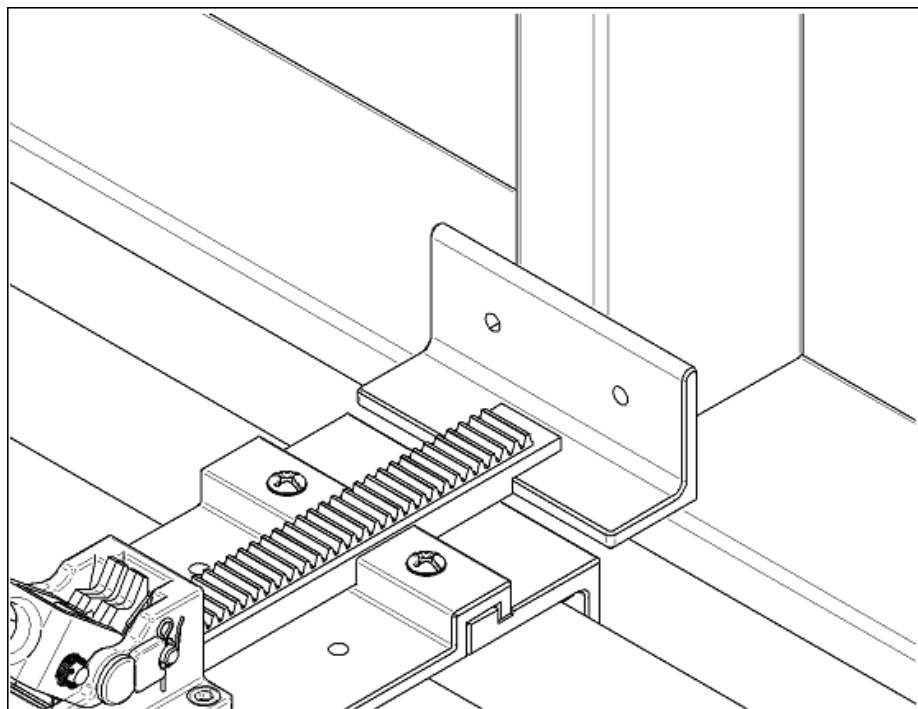


All personal protection equipments must conform to national standards.

OPERATING INSTRUCTIONS

At Stud Locations:

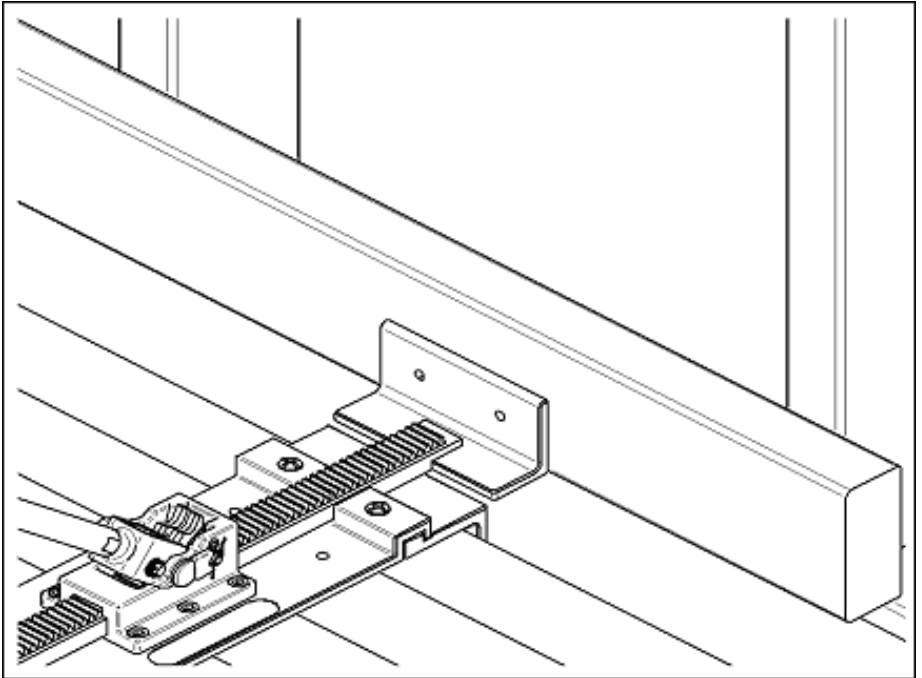
Position the Prim-Jack floor tightening jack in line with wall studs. Operate lever handle to ratchet faceplate into contact with the wall stud. Continue to ratchet until flooring draws up to desired position. Prim-Jack can be left in place while you nail down the flooring strip.



Between Stud Locations:

Option 1 - Place a length of 2x4 or similar support board in front of the ram of the Prim-Jack and attach it using wood screws through the two holes provided. Then place Prim-Jack in position between the wall studs for support and ratchet until contact is made. To release the Prim-Jack, simply push the handle to full forward position releasing the pawls contact.

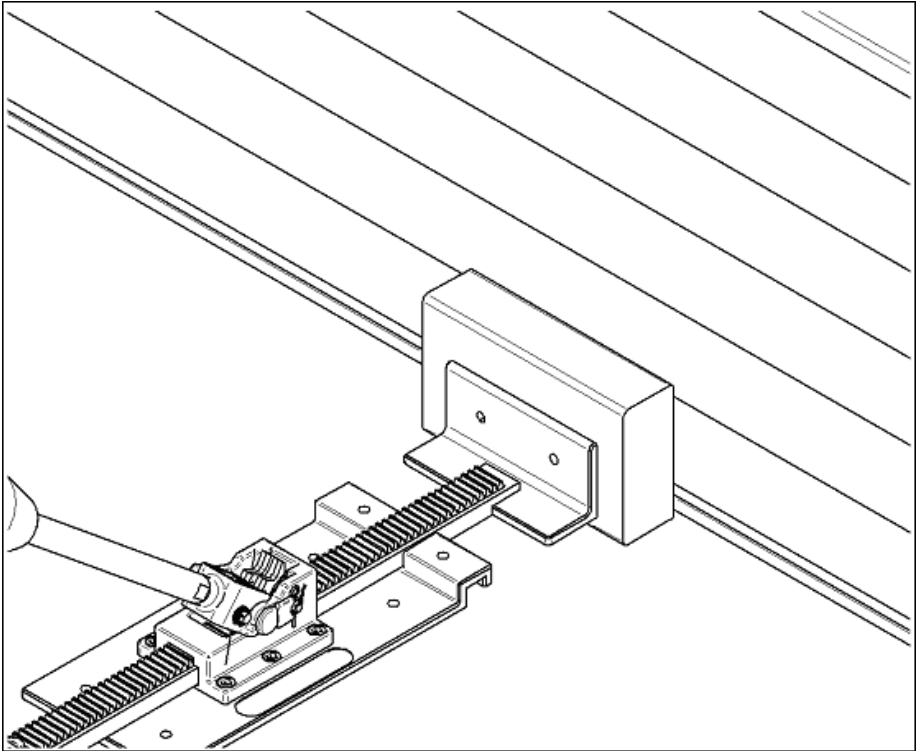
Option 2 - Place one or two flooring strips between the wall studs for support. Then place Prim-Jack in position and ratchet until contact is made with the support strips. To release the Prim-Jack, simply push the handle to full forward position releasing the pawls contact.



Away from a wall:

Option 1 - Remove the shoe from the Prim-Jack base. Put the shoe and the screws in a safe place. Place the Prim-Jack in position and fasten the base of the Prim-Jack to the sub floor using wood screws through the four holes provided. Then ratchet until contact is made with the support board. Remove support board when the flooring strip is nailed securely in place.

Option 2 - Nail a 2x4 or similar support board down on the sub floor close to the crook. Place the Prim-Jack in position and ratchet until contact is made with the support board. Remove support board when the flooring strip is nailed securely in place.



The Prim-Jack will work on any thickness of flooring without damaging the flooring surface. The non-marring base is designed to protect the flooring surface by keeping the metal components of the Prim-Jack from coming into contact with the floor. The Prim-Jack can be used next to the wall at stud locations or anywhere on the floor using the appropriate tool positioning and configuration.

Installing Pre-finished Flooring:

Caution should be used in installing pre-finished flooring to ensure that the finish is not damaged by the tool due to a particular configuration. It is recommended that the tool be tested on a sample section to be certain that the tool and technique being used do not leave marks on the finish. This procedure should be followed before each job due to variations in flooring and tool condition.

Safe Operation:

The Prim-Jack has been designed to deliver the equivalent of up to one ton of force through the simple actuation of the provided lever handle.



DO NOT strike the knob, the handle, or any part of the tool with any portion of the hammer or mallet. Actuate the handle by hand only to prevent possible injury and/or damage to the tool.



DO NOT use extensions or levers to lengthen the handle. Actuate the handle by hand only to prevent possible injury and/or damage to the tool.



DO NOT use excessive force as this can move wall studs, penetrate wallboard, damage the tongue of the flooring strip, or damage the surface finish of the floor. Make sure that the tool is positioned in an area of the wall that provides sufficient support for tightening the floor.